



KAMUJA

DIESEL FORKLIFT A-SF50X



Hunan Kamuja Machinery & Equipment Co.,Ltd



A Certificated Company of GB/T 19001-2016
ISO 9001:2015

INTRODUCTION

Inherited the high quality characteristics of KAMUJA series products.

The machine has the advantages of compact and reasonable structure, strong lifting capacity, low failure rate and good maintainability. Widely used in stations, ports, airports, factories, warehouses and other occasions, is mechanized loading and unloading and short-distance transportation of efficient equipment.

FEATURES

① ENGINE SYSTEM

Superior performance, strong power, good fuel economy, excellent emissions.

② HYDRAULIC SYSTEM

Optimized matching hydraulic system, high working efficiency; Equipped with special hydraulic joint, high reliability, low oil leakage rate.

③ TRANSMISSION SYSTEM

China first-class mechanical transmission, providing more travel speed options.

④ ELECTRICAL SYSTEM

The electric system adopts waterproof sealing plug-in structure, which is safe and reliable.

⑤ CAB & CONSOLE

Humanized single joystick transmission system, more in line with the driver's operating habits.

⑥ FUEL CONSUMPTION, GREEN ENVIRONMENTAL PROTECTION

The use of power source control fuel consumption technology, play the maximum role of every drop of fuel, compared with the industry's equivalent products reduce fuel consumption by 8 percent.

⑦ EASY MAINTENANCE

The engine cover with large opening Angle design effectively increases the maintenance space; The detachable rear beam of the driving shed makes it easier to maintain the radiator; Hydraulic parts layout is reasonable, easy to maintain.

HUNAN KAMUJA MACHINERY & EQUIPMENT CO.,LTD.

Room 818, 4th Floor, Chang Tong Logistic Center, No.18 Qingzhuhu Road, Changsha, Hunan, China



Tel: +86 0731 88677248 alvaro.jin@kamuja.cn www.kamuja.cn

Certificated Company GB/T 19001-2016/ ISO 9001:2015

PRODUCT DETAILS



Footboard



Automatic Control stick



Cab Chair



Dashboard



Mitsubishi Engine



Rear light

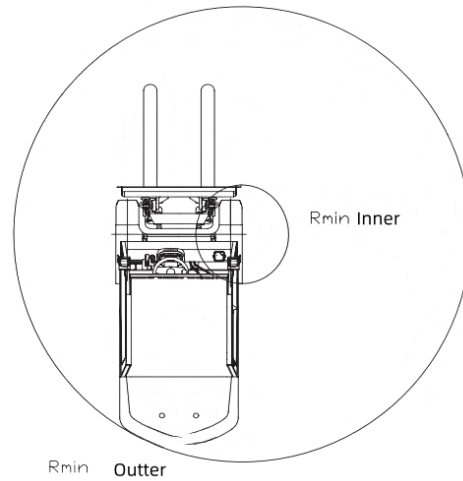
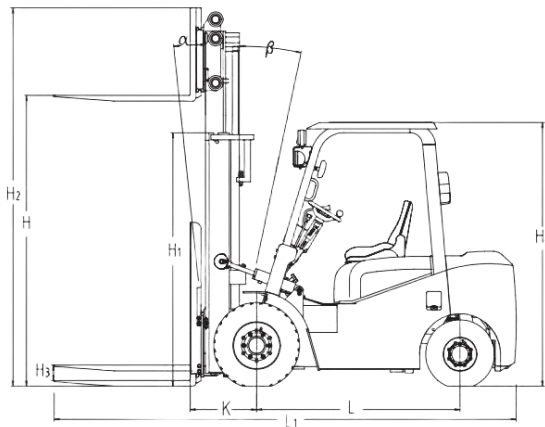


Air intake

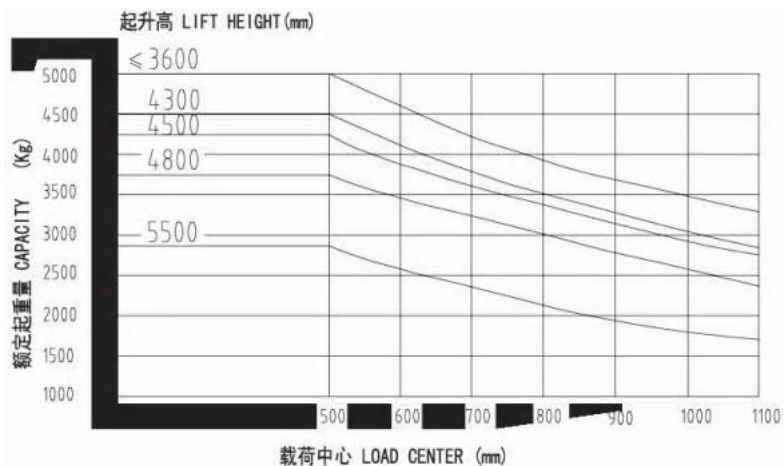


Light

OVERALL



CAPACITY CHART



HUNAN KAMUJA MACHINERY & EQUIPMENT CO.,LTD.

Room 818, 4th Floor, Chang Tong Logistic Center, No.18 Qingzhu Road, Changsha, Hunan, China



Tel: +86 0731 88677248 alvaro.jin@kamuja.cn www.kamuja.cn

Certificated Company GB/T 19001-2016/ ISO 9001:2015

OPTIONAL ATTACHMENTS



Multi-functional soft bag clip

Brick clamp

Roll clip

String rod



Trash clip

Push-puller

Side shifter

Carton holder

Standard Configuration (Inclusions)

- Alight and alight protection pedals
- Type air cleaner
- Hydraulic oil scale
- Traction device
- Raise the oil speed limit valve
- Full hydraulic power steering
- Second class extra wide view frame
- Standard fork
- Raise and tilt the joystick
- Steering wheel can be adjusted
- Car handle
- Roof guard and rain shield
- Rearview mirror
- Fuel gauge
- Preheating prompt
- Engine oil pressure alarm
- Neutral safety switch (hydraulic drive)
- Standard roof guard
- Transmission oil scale (Hydraulic transmission)
- High performance tyre
- High air intake device
- Hydraulic oil suction filter element
- Tilt oil circuit self-locking valve
- Cable parking brake
- Front combination lamp
- Electric horn
- Overhead headlights
- The reverse buzzer
- Class II (III) cargo fork rack
- Stopwatch
- Hood gas spring
- Rear combination lamp
- Charging tips
- Oil cooler (Hydraulic drive)
- Car tool kit
- Water thermometer
- Standard seat
- Two disc multiway valve
- Large rubber pedal pad
- Standard rack
- Load relief valve

HUNAN KAMUJA MACHINERY & EQUIPMENT CO.,LTD.

Room 818, 4th Floor, Chang Tong Logistic Center, No.18 Qingzhuhu Road, Changsha, Hunan, China

Tel: +86 0731 88677248 alvaro.jin@kamuja.cn www.kamuja.cn



Certificated Company GB/T 19001-2016/ ISO 9001:2015

Optional devices and accessories

- Tilt cylinder jacket
- Dual drive wheel
- Cab
- Overhead exhaust device
- User specified color
- Cab heater
- Rear working light
- Alarm lamp
- Solid tyre
- Middle exhaust device
- Exhaust fire protection
- Suspension seat
- Weighing system
- Auxiliary hydraulic valve assembly
- Extinguisher
- Copper water tank
- LED rear light
- Double air filter

Optional Fittings

- Roll clip
- Rotate the flat clamp
- Load stabilizer
- Multi-purpose bucket clamp
- Soft clip
- Can clip
- Miter clamp
- Boom
- String rod
- Side Shifter
- Swivel fork
- Fork extension cover
- Load ejector
- Carton clip
- Position ejector
- Bucket
- Lifting hook
- Extended fork

Special Equipment for Mast

- Wide view full Stage III Mast
- Wide field of view full free Stage III Mast
- Special fork



SPECIFICATIONS

General	Model		A-SF50X			
	Load capacity		5000	kg		
	Load center		500	m m		
	Power type		Diesel			
Dimensions	Lift height		H	3000	m m	
	Free lift height		H3	110	m m	
	Fork size		1070×150×50		m m	
			1220×125×45			
	Mast tilt angle		α/β	6/12	deg	
	Fort overhang		K	570	m m	
	Overall dimensions	Length to face of fork		L1	4520	m m
		Overall width			1480	m m
		Overall height fork lowered		H1	2190	m m
		Overall height fork raised		H2	4300	m m
		Overall guard height		H4	2290	m m
Turning radius			3050	m m		
Min.right angle aisle width			2785	m m		
Performance	Travel speed (Full/No load)		19/25	km/h		
	Full load travel speed		430	km/h		
	Max.gradeability		20	%		
	Self weight		7000	kg		
Wheel & tires	Tires	Front	300-15-20PR			
		Rear	7.00-12-12PR			
	Tread	Front	1180	m m		
		Rear	1190	m m		
	Wheelbase		L	2200	m m	
Ground clearance		Rack	140	m m		
Drive units & control	Engine	Model		MitsubishiS6S		
		Rated output		57.4/2000	km/ rpm	
		Rated torque		260/1700	N.m/rpm	
		No.of cylinder		4		
		Bore×stroke		94×120	m m	
		Displacement		4.996	L	

※ The technical information may vary by the update policy, the changes will be without prior notice.

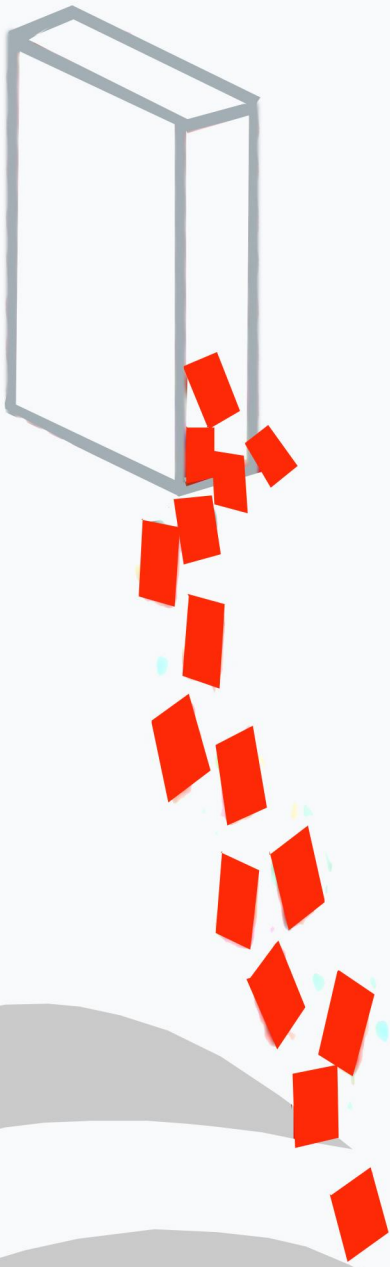
HUNAN KAMUJA MACHINERY & EQUIPMENT CO.,LTD.

Room 818, 4th Floor, Chang Tong Logistic Center, No.18 Qingzhuhu Road, Changsha, Hunan, China

Tel: +86 0731 88677248 alvaro.jin@kamuja.cn www.kamuja.cn



Certificated Company GB/T 19001-2016/ ISO 9001:2015



Hunan Kamuja Machinery & Equipment Co.,Ltd

Address: Qingzhu Hu Road N.18, Chang Tong Logistic Center Floor 4 Room 818,
Jinxia Economic Development Zone, Changsha City, Hunan Province, P.R of China.

333 SE 2nd Avenue Suit 2000 Miami FL 33131. USA

Tel: +86 731 8867 7248 e-mail: info@kamuja.cn

Web site: www.kamuja.cn



A Certificated Company of GB/T 19001-2016/
ISO 9001:2015